

# OLDCASTLE BUILDINGENVELOPE™

## BMS-3000 STORMMAX® SKYLIGHT (HVHZ) (IMPACT)



OLDCASTLE BUILDINGENVELOPE™  
8655 ELM FAIR BLVD.  
TAMPA, FL 33610  
PH: (972) 551-6100

**GENERAL NOTES:**

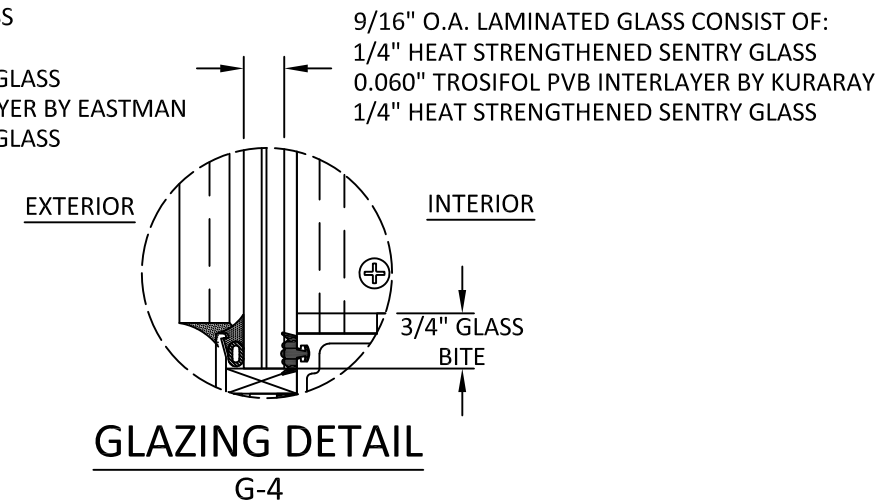
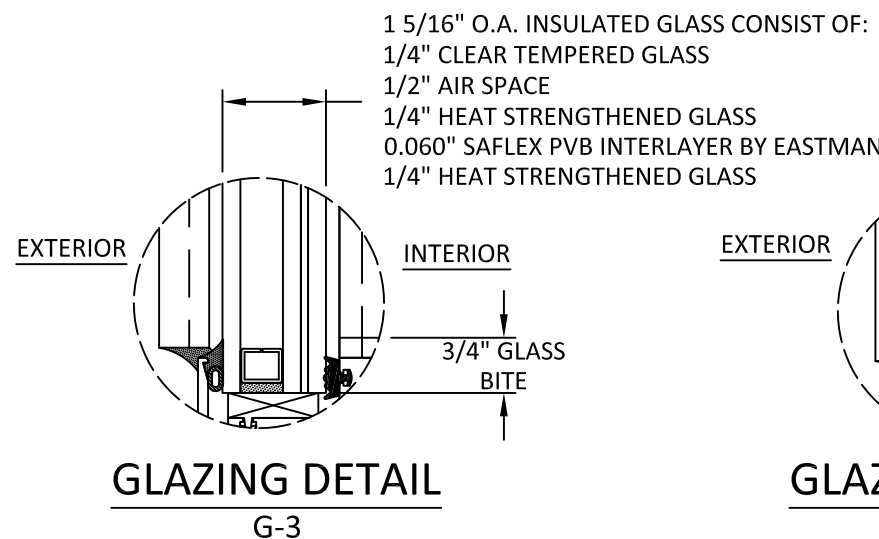
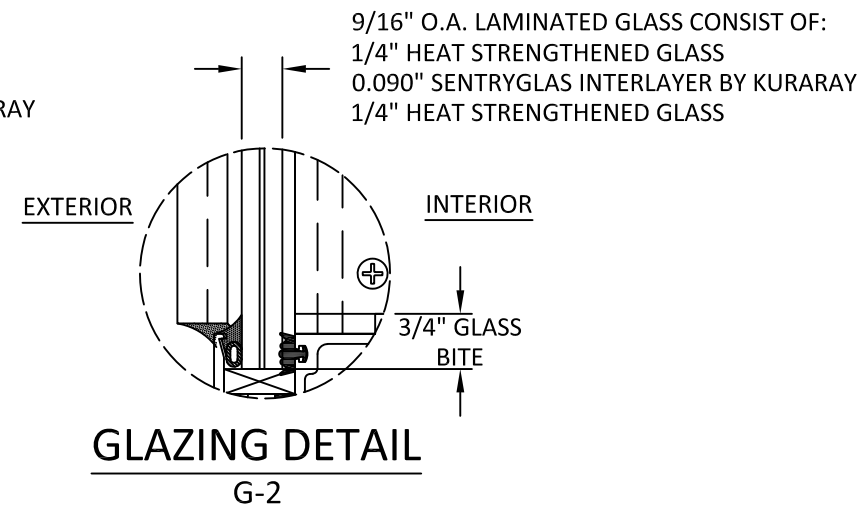
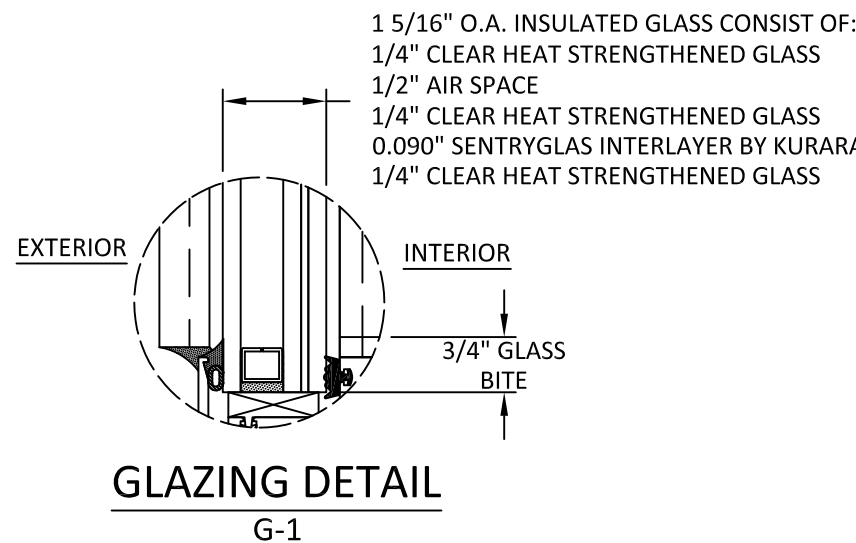
- THE PRODUCT SHOWN HEREIN IS DESIGNED AND MANUFACTURED TO COMPLY WITH THE CURRENT EDITION FLORIDA BUILDING CODE (FBC) **INCLUDING** HVHZ. ALL PRODUCTS UNDER THE SCOPE OF THIS DOCUMENT HAVE BEEN EVALUATED ACCORDING TO THE FOLLOWING:
  - ASTM E283-04(12)
  - ASTM E330-14
  - ASTM E331-00(09)
  - ASTM E1886-13a
  - ASTM E1996-17
  - TAS 201-94
  - TAS 202-94
  - TAS 203-94
- ADEQUACY OF THE EXISTING STRUCTURAL CONCRETE/MASONRY, 2X AND METAL STUD FRAMING AS A MAIN WIND FORCE RESISTING SYSTEM CAPABLE OF WITHSTANDING AND TRANSFERRING APPLIED PRODUCT LOADS TO THE FOUNDATION IS THE RESPONSIBILITY OF THE ENGINEER OR ARCHITECT OF RECORD FOR THE PROJECT OF INSTALLATION.
- 1X AND 2X BUCKS (WHEN USED) SHALL BE DESIGNED AND ANCHORED TO PROPERLY TRANSFER ALL LOADS TO THE STRUCTURE. BUCK DESIGN AND INSTALLATION IS THE RESPONSIBILITY OF THE ENGINEER OR ARCHITECT OF RECORD FOR THE PROJECT OF INSTALLATION.
- INSTALL INDIVIDUAL INSTALLATION ANCHORS WITHIN A TOLERANCE OF ±1/4 INCH OF THE DEPICTED LOCATION IN THE ANCHOR LAYOUT DETAIL (I.E., WITHOUT CONSIDERATION OF TOLERANCES). TOLERANCES ARE NOT CUMULATIVE FROM ONE INSTALLATION ANCHOR TO THE NEXT.
- THE INSTALLATION DETAILS DESCRIBED HEREIN ARE GENERIC AND MAY NOT REFLECT ACTUAL CONDITIONS FOR A SPECIFIC SITE. IF SITE CONDITIONS CAUSE INSTALLATION TO DEVIATE FROM THE REQUIREMENTS DETAILED HEREIN, A LICENSED ENGINEER OR ARCHITECT SHALL PREPARE SITE SPECIFIC DOCUMENTS FOR USE WITH THIS DOCUMENT.
- APPROVED IMPACT PROTECTIVE SYSTEM **IS NOT REQUIRED** TO PROTECT THIS PRODUCT IN AREAS REQUIRING IMPACT RESISTANCE.
- FRAME MATERIAL: 6063-T6 ALUMINUM
- GLASS MEETS THE REQUIREMENTS OF ASTM E 1300 GLASS CHARTS. SEE SHEET 1 FOR GLAZING DETAILS.

**GLAZING NOTES:**

- GLASS TYPE & THICKNESS COMPLIES WITH ASTM E1300 REQUIREMENTS AS WELL AS APPLICABLE SAFETY GLAZING REQUIREMENTS PER THE FBC. TEMPER AND SAFETY GLAZING REQUIREMENTS SHALL BE REVIEWED ON A SITE SPECIFIC BASIS.
- SETTING BLOCK DUROMETER HARDNESS OF 70-90 (SHORE A) AS REFERENCED IN FBC CHAPTER 24.
- SETTING BLOCKS TO BE LOCATED AT 1/4 SPAN LENGTH FOR GLASS WIDER THAN 36" AS PER FBC CHAPTER 24.
- D.L.O. AND DESIGN PRESSURES MAY NOT EXCEED MAX VALUES IN DESIGN PRESSURE TABLES.

DESIGN PRESSURE RATING			
GLAZING TYPE	SECTION SIZE	DESIGN PRESSURE	MISSILE RATING
G-1	60" X 100-1/8"	+90/-90 PSF	LARGE MISSILE IMPACT
G-2	60" X 100-1/8"	+70/-70 PSF	
G-3	60" X 100-1/8"	+100/-125 PSF	SMALL MISSILE IMPACT
G-4	60" X 100-1/8"		

TABLE OF CONTENTS	
SHEET	SHEET DESCRIPTION
1	GENERAL NOTES, DESIGN PRESSURE TABLE AND GLAZING DETAILS
2	ELEVATIONS
3	HORIZONTAL SECTIONS
4	HORIZONTAL SECTIONS
5	HORIZONTAL SECTIONS
6	HORIZONTAL SECTIONS
7	HORIZONTAL SECTIONS
8	INSTALLATION NOTES AND DETAILS
9	BILL OF MATERIALS AND COMPONENTS
10	COMPONENTS
11	SEALING DETAILS
12	SEALING DETAILS
13	GLASS BLOCKING DETAILS

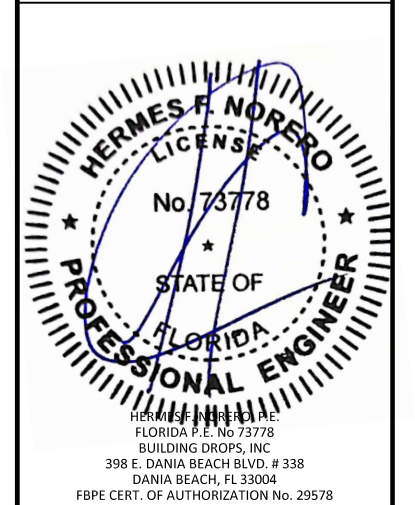


TITLE: BMS-3000 STORMMAX® SKYLIGHT (HVHZ) (IMPACT)  
GENERAL NOTES, DESIGN PRESSURE TABLE & GLAZING DETAILS

PREPARED BY: BUILDING DROPS, INC.  
398 E. DANIA BEACH BLVD., STE. 338  
DANIA BEACH, FL 33004  
PH: (954) 959-8478  
FAX: (954) 744-4738  
WEB: www.buildingdrops.com

REMARKS	BY	DATE

THE INSTALLATION DETAILS DESCRIBED HEREIN ARE GENERIC AND MAY NOT REFLECT ACTUAL CONDITIONS FOR A SPECIFIC SITE. IF SITE CONDITIONS CAUSE INSTALLATION TO DEVIATE FROM THE REQUIREMENTS DETAILED HEREIN, A LICENSED ENGINEER OR ARCHITECT SHALL PREPARE SITE SPECIFIC DOCUMENTS FOR USE WITH THIS DOCUMENT.



FL #: **FL17669**

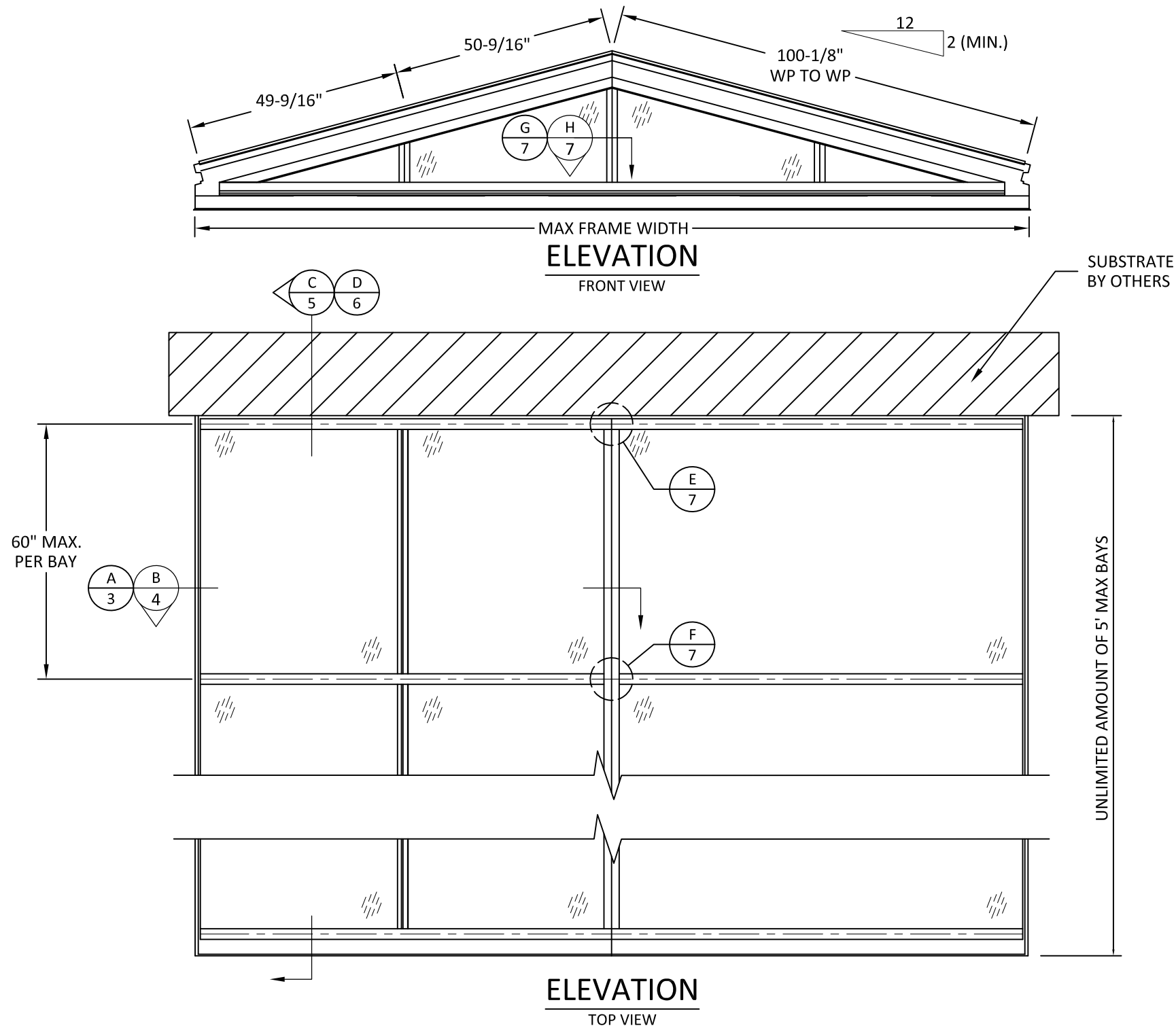
DATE: **06.12.23**

DWG. BY: **MS**      CHK. BY: **HFN**

SCALE: **NTS**

DWG. #: **OBE006**

SHEET: **1** OF 13

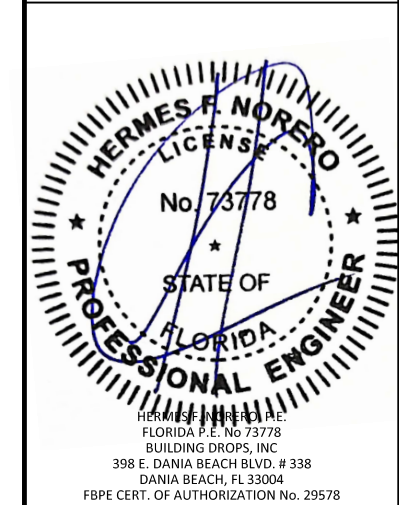


OLDCASTLE BUILDINGENVELOPE™  
 8655 ELM FAIR BLVD.  
 TAMPA, FL 33610  
 PH: (972) 551-6100

TITLE: BMS-3000 STORMMAX® SKYLIGHT (HVHZ) (IMPACT) ELEVATIONS  
 PREPARED BY: BUILDING DROPS, INC.  
 398 E. DANIA BEACH BLVD., STE. 338  
 DANIA BEACH, FL 33004  
 PH: (954) 399-8478  
 FAX: (954) 744-4738  
 WEB: www.buildingdrops.com

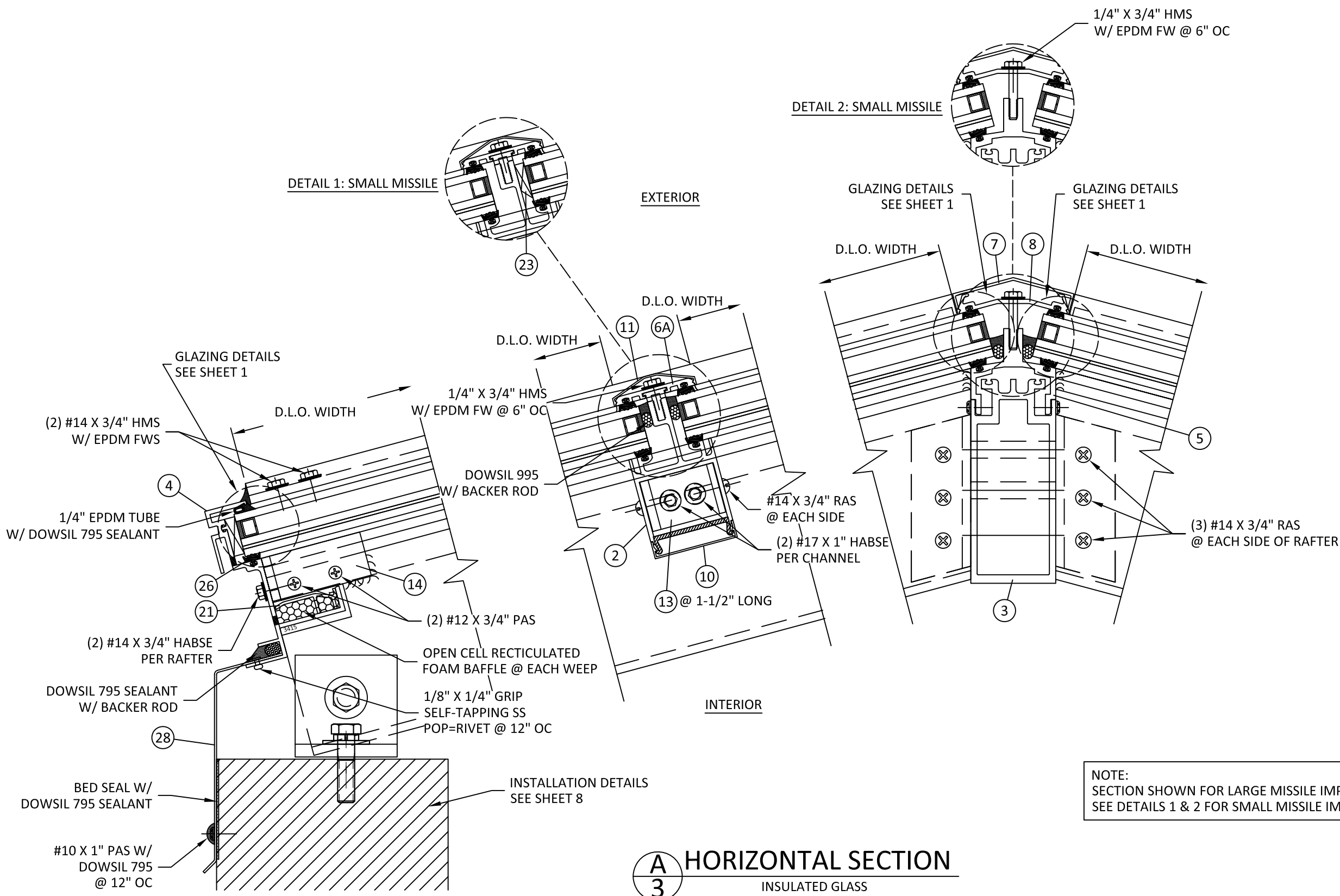
REMARKS	BY	DATE

THE INSTALLATION DETAILS DESCRIBED HEREIN ARE GENERIC AND MAY NOT REFLECT ACTUAL CONDITIONS FOR A SPECIFIC SITE. IF SITE CONDITIONS CAUSE INSTALLATION TO DEVIATE FROM THE REQUIREMENTS DETAILED HEREIN, A LICENSED ENGINEER OR ARCHITECT SHALL PREPARE SITE SPECIFIC DOCUMENTS FOR USE WITH THIS DOCUMENT.



FL #: **FL17669**  
 DATE: **06.12.23**  
 DWG. BY: **MS**      CHK. BY: **HFN**  
 SCALE: **NTS**  
 DWG. #: **OBE006**  
 SHEET:

2



NOTE:  
SECTION SHOWN FOR LARGE MISSILE IMPACT,  
SEE DETAILS 1 & 2 FOR SMALL MISSILE IMPACT.

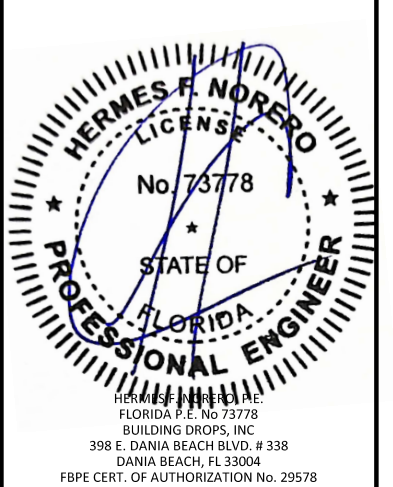


OLDCASTLE BUILDINGENVELOPE™  
8655 ELM FAIR BLVD.  
TAMPA, FL 33610  
PH: (972) 551-6100

TITLE: BMS-3000 STORMMAX® SKYLIGHT (HVHZ) (IMPACT)  
HORIZONTAL SECTIONS  
PREPARED BY: BUILDING DROPS, INC.  
398 E. DANIA BEACH BLVD., STE. 338  
DANIA BEACH, FL 33004  
PH: (954) 399-8478  
FAX: (954) 744-4738  
WEB: www.buildingdrops.com

REMARKS	BY	DATE

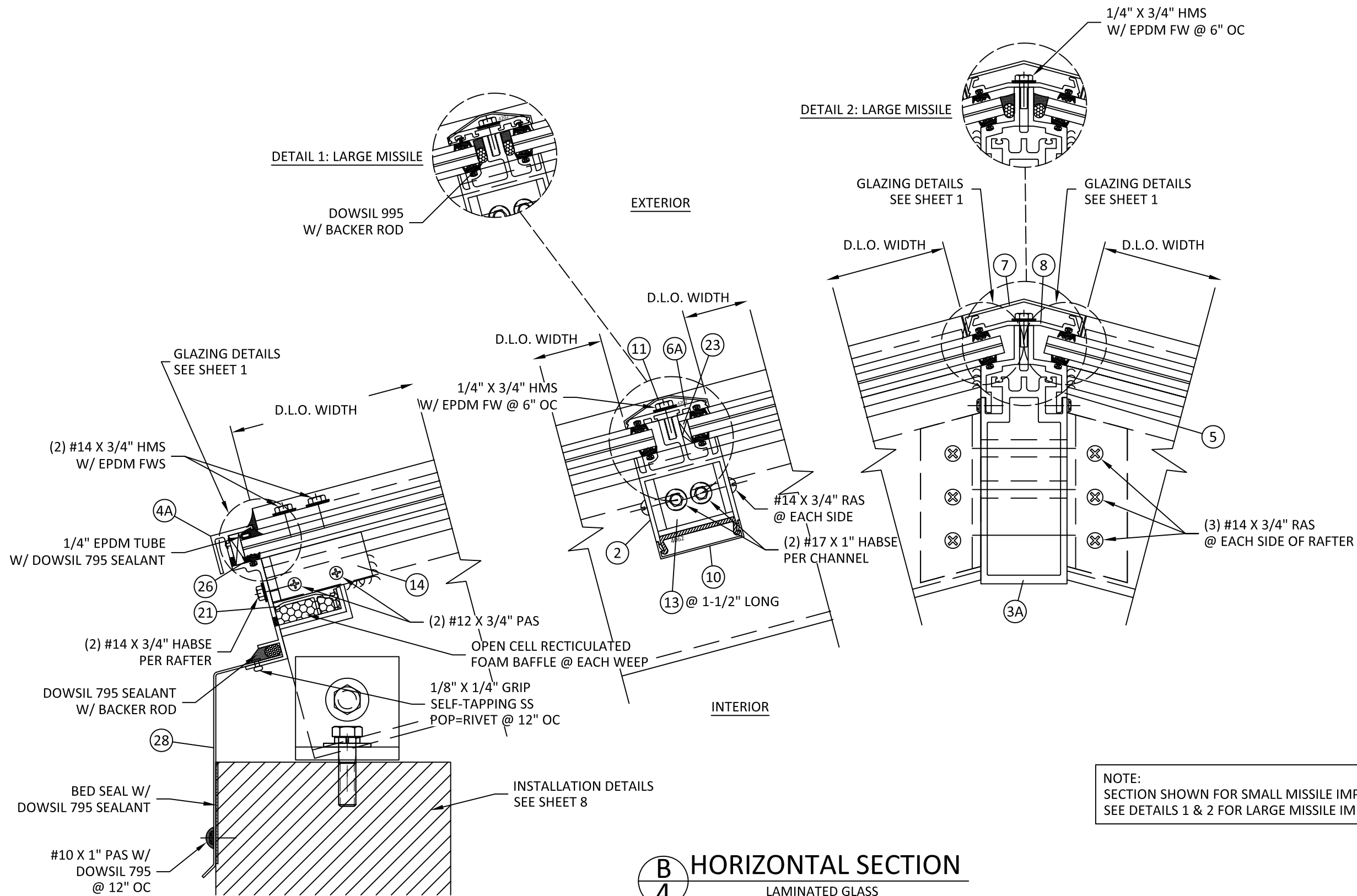
THE INSTALLATION DETAILS DESCRIBED HEREIN ARE GENERIC AND MAY NOT REFLECT ACTUAL CONDITIONS FOR A SPECIFIC SITE. IF SITE CONDITIONS CAUSE INSTALLATION TO DEVIATE FROM THE REQUIREMENTS DETAILED HEREIN, A LICENSED ENGINEER OR ARCHITECT SHALL PREPARE SITE SPECIFIC DOCUMENTS FOR USE WITH THIS DOCUMENT.



FL #:	FL17669
DATE:	06.12.23
DWG. BY:	MS
CHK. BY:	HFN
SCALE:	NTS
DWG. #:	OBE006
SHEET:	3

8/3/2023 8:31 AM

s:\projects\oldcastle\_building\_envelope\fb-21-0221-fbc-submittal-17669bms-3000-stormmax\_skylight.dwg\lbe006.dwg



**NOTE:**  
SECTION SHOWN FOR SMALL MISSILE IMPACT,  
SEE DETAILS 1 & 2 FOR LARGE MISSILE IMPACT.

**B**  
**4** HORIZONTAL SECTION  
LAMINATED GLASS



OLDCASTLE BUILDINGENVELOPE™  
8655 ELM FAIR BLVD.  
TAMPA, FL 33610  
PH: (972) 551-6100

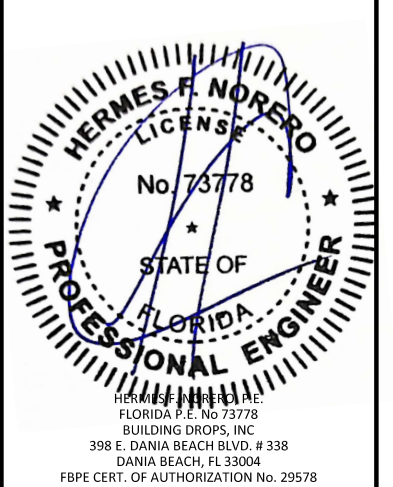
**TITLE:** BMS-3000 STORMMAX® SKYLIGHT (HVHZ) (IMPACT)  
**HORIZONTAL SECTIONS**

**PREPARED BY:** BUILDING DROPS, INC.  
398 E. DANIA BEACH BLVD., STE. 338  
DANIA BEACH, FL 33004  
PH: (954) 399-8478  
FAX: (954) 744-4738  
WEB: www.buildingdrops.com

**BUILDING DROPS**

REMARKS	BY	DATE

THE INSTALLATION DETAILS DESCRIBED HEREIN ARE GENERIC AND MAY NOT REFLECT ACTUAL CONDITIONS FOR A SPECIFIC SITE. IF SITE CONDITIONS CAUSE INSTALLATION TO DEVIATE FROM THE REQUIREMENTS DETAILED HEREIN, A LICENSED ENGINEER OR ARCHITECT SHALL PREPARE SITE SPECIFIC DOCUMENTS FOR USE WITH THIS DOCUMENT.



FL #: **FL17669**

DATE: **06.12.23**

DWG. BY: **MS**      CHK. BY: **HFN**

SCALE: **NTS**

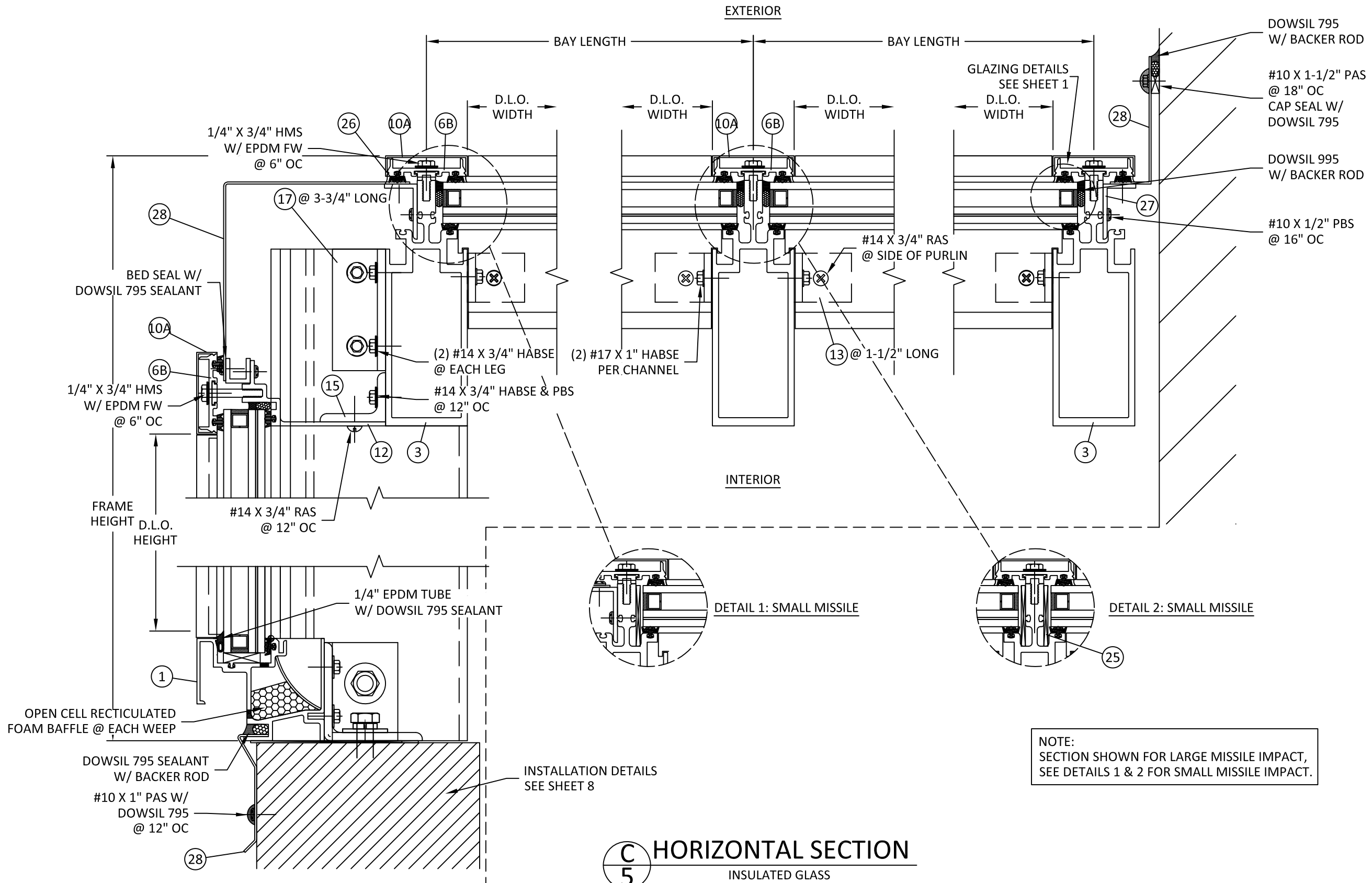
DWG. #: **OBE006**

SHEET: **4**

OF 13

8/13/2023 8:31 AM

s:\projects\oldcastle\_building\_envelope\fbic-21-0221-fbc-submittal-117669bms-3000-stormmax\_skylight.dwg\lbe006.dwg



**C**  
**5** HORIZONTAL SECTION  
INSULATED GLASS

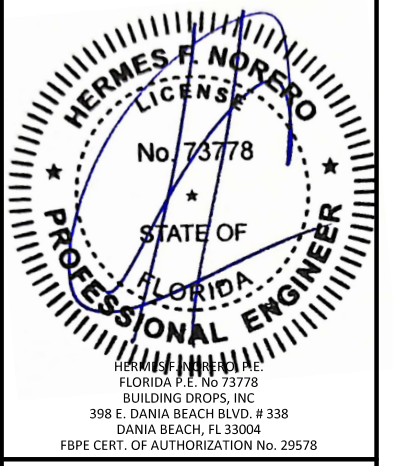


OLDCASTLE BUILDINGENVELOPE™  
8655 ELM FAIR BLVD.  
TAMPA, FL 33610  
PH: (972) 551-6100

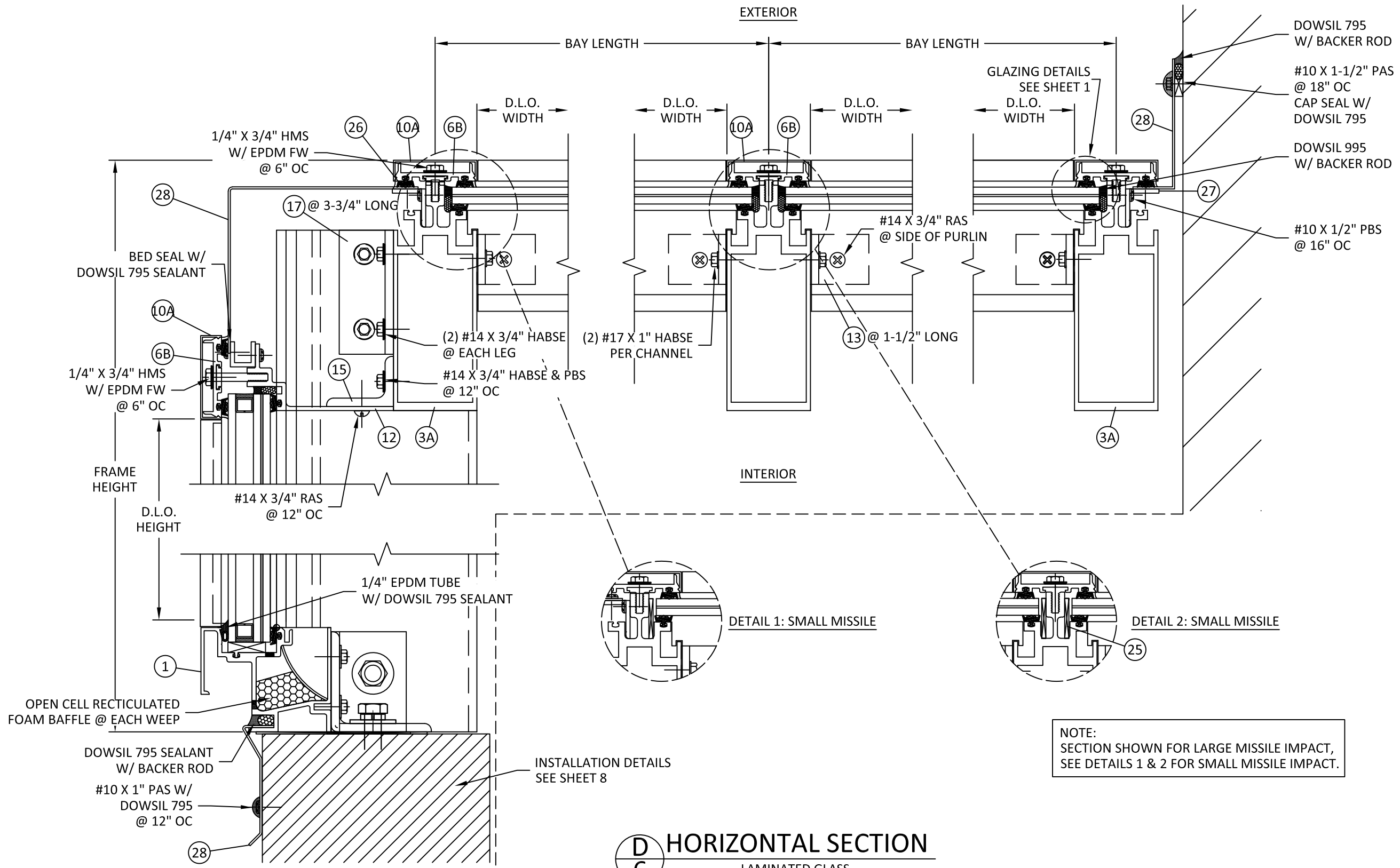
TITLE: BMS-3000 STORMMAX® SKYLIGHT (HVHZ) (IMPACT)  
HORIZONTAL SECTIONS  
PREPARED BY: BUILDING DROPS, INC.  
398 E. DANIA BEACH BLVD., STE. 338  
DANIA BEACH, FL 33004  
PH: (954) 399-8478  
FAX: (954) 744-4738  
WEB: www.buildingdrops.com

REMARKS	BY	DATE

THE INSTALLATION DETAILS DESCRIBED HEREIN ARE GENERIC AND MAY NOT REFLECT ACTUAL CONDITIONS FOR A SPECIFIC SITE. IF SITE CONDITIONS CAUSE INSTALLATION TO DEVIATE FROM THE REQUIREMENTS DETAILED HEREIN, A LICENSED ENGINEER OR ARCHITECT SHALL PREPARE SITE SPECIFIC DOCUMENTS FOR USE WITH THIS DOCUMENT.



FL #:	<b>FL17669</b>
DATE:	<b>06.12.23</b>
DWG. BY:	<b>MS</b>
CHK. BY:	<b>HFN</b>
SCALE:	<b>NTS</b>
DWG. #:	<b>OBE006</b>
SHEET:	<b>5</b>

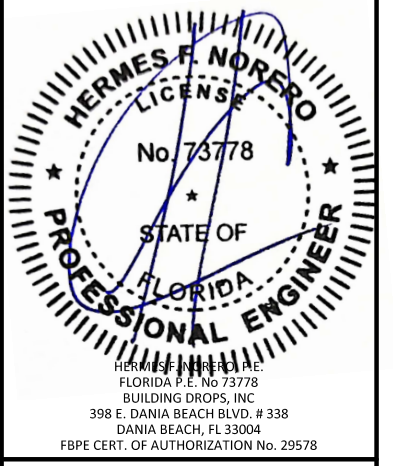


OLDCASTLE BUILDINGENVELOPE™  
 8655 ELM FAIR BLVD.  
 TAMPA, FL 33610  
 PH: (972) 551-6100

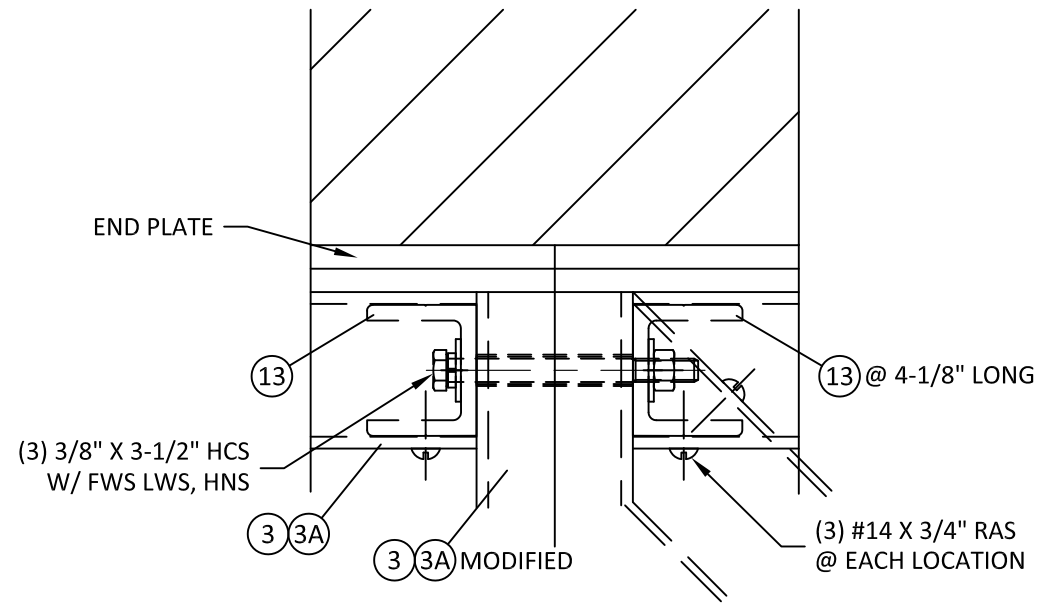
TITLE: BMS-3000 STORMMAX® SKYLIGHT (HVHZ) (IMPACT)  
 HORIZONTAL SECTIONS  
 PREPARED BY: BUILDING DROPS, INC.  
 398 E. DANIA BEACH BLVD., STE. 338  
 DANIA BEACH, FL 33004  
 PH: (954) 399-8478  
 FAX: (954) 744-4738  
 WEB: www.buildingdrops.com

REMARKS	BY	DATE

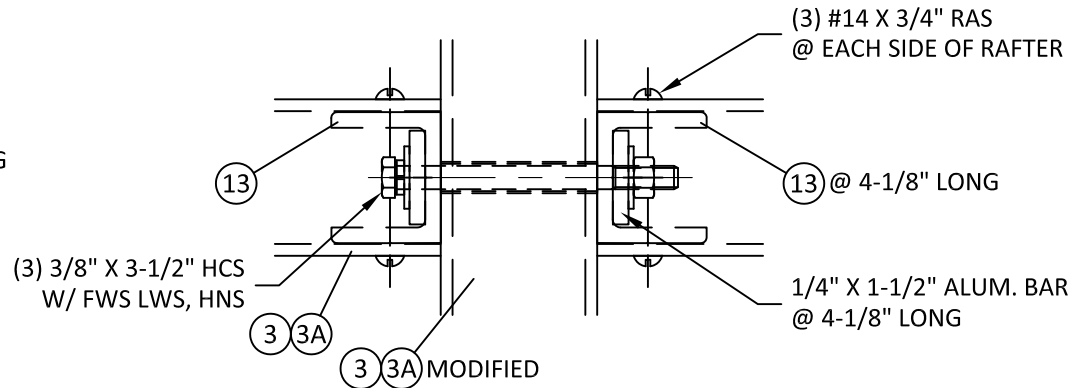
THE INSTALLATION DETAILS DESCRIBED HEREIN ARE GENERIC AND MAY NOT REFLECT ACTUAL CONDITIONS FOR A SPECIFIC SITE. IF SITE CONDITIONS CAUSE INSTALLATION TO DEVIATE FROM THE REQUIREMENTS DETAILED HEREIN, A LICENSED ENGINEER OR ARCHITECT SHALL PREPARE SITE SPECIFIC DOCUMENTS FOR USE WITH THIS DOCUMENT.



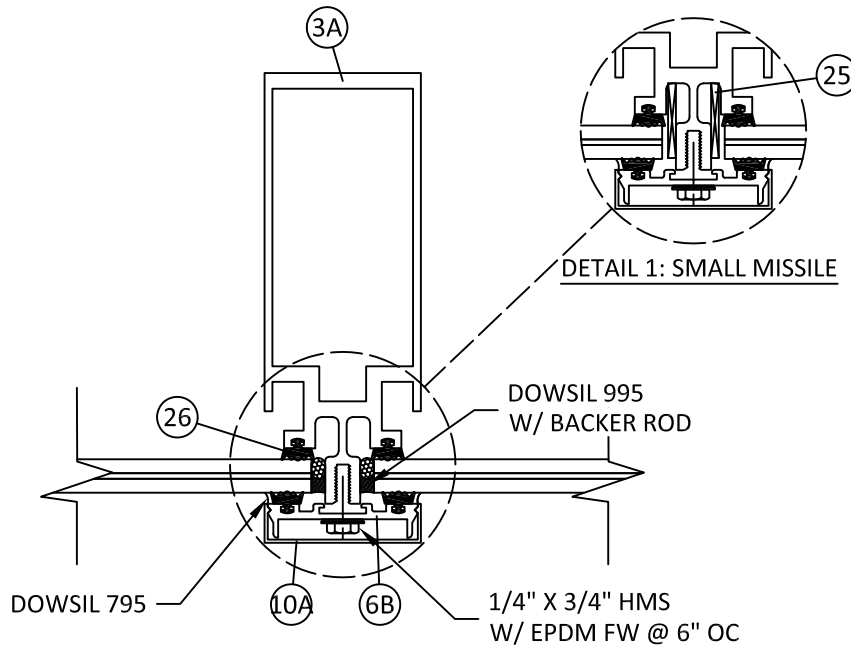
FL #:	<b>FL17669</b>
DATE:	<b>06.12.23</b>
DWG. BY:	<b>MS</b>
CHK. BY:	<b>HFN</b>
SCALE:	<b>NTS</b>
DWG. #:	<b>OBE006</b>
SHEET:	<b>6</b>



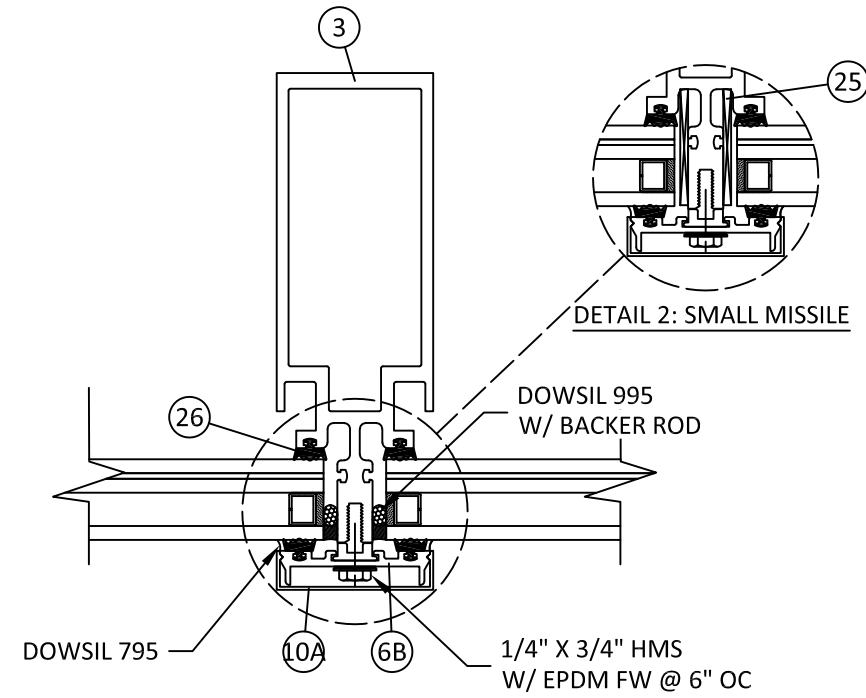
**E**  
**7** CONNECTION DETAIL  
JAMB RAFTER



**F**  
**7** CONNECTION DETAIL  
TYPICAL RAFTER



**G**  
**7** HORIZONTAL SECTION  
END WALL SECTION  
LAMINATED GLASS



**H**  
**7** HORIZONTAL SECTION  
END WALL SECTION  
INSULATING GLASS

NOTE:  
SECTION SHOWN FOR LARGE MISSILE IMPACT,  
SEE DETAILS 1 & 2 FOR SMALL MISSILE IMPACT.

TITLE: BMS-3000 STORMMAX® SKYLIGHT (HVHZ) (IMPACT)

HORIZONTAL SECTIONS

PREPARED BY: BUILDING DROPS, INC.  
398 E. DANIA BEACH BLVD., STE. 338  
DANIA BEACH, FL 33004  
PH: (954) 399-8478  
FAX: (954) 744-4738  
WEB: www.buildingdrops.com

REMARKS	BY	DATE

THE INSTALLATION DETAILS DESCRIBED HEREIN ARE GENERIC AND MAY NOT REFLECT ACTUAL CONDITIONS FOR A SPECIFIC SITE. IF SITE CONDITIONS CAUSE INSTALLATION TO DEVIATE FROM THE REQUIREMENTS DETAILED HEREIN, A LICENSED ENGINEER OR ARCHITECT SHALL PREPARE SITE SPECIFIC DOCUMENTS FOR USE WITH THIS DOCUMENT.

HERMES F. NOREIRO  
LICENSE  
No. 73778  
STATE OF FLORIDA  
PROFESSIONAL ENGINEER  
HERMES F. NOREIRO, P.E.  
FLORIDA P.E. No. 73778  
BUILDING DROPS, INC.  
398 E. DANIA BEACH BLVD. # 338  
DANIA BEACH, FL 33004  
FBPE CERT. OF AUTHORIZATION No. 29578

FL #: **FL17669**

DATE: **06.12.23**

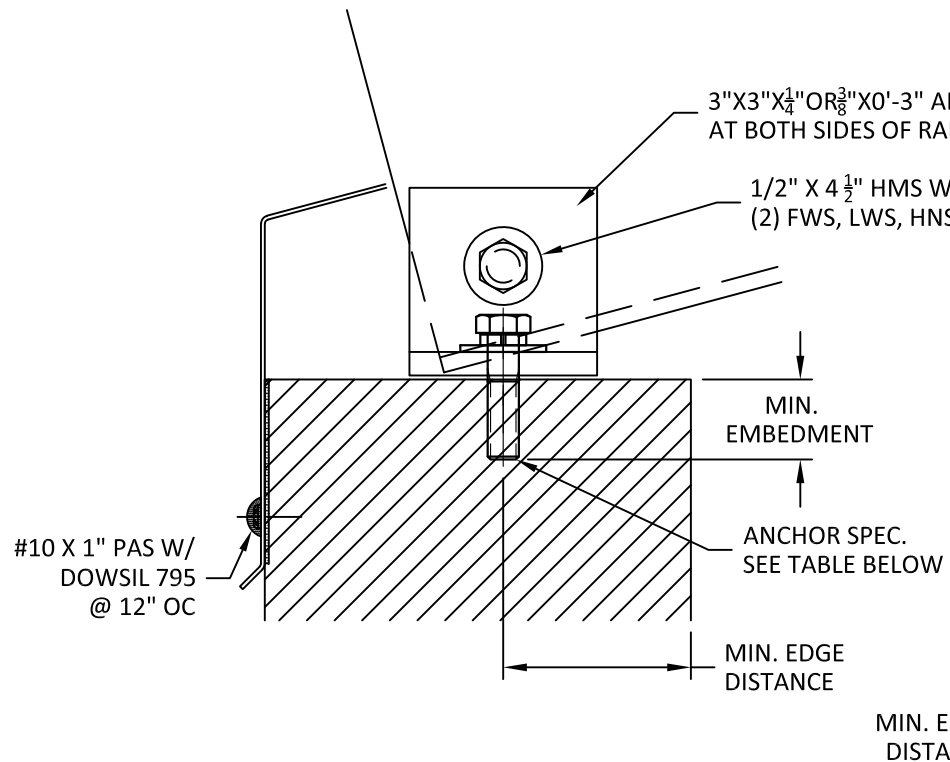
DWG. BY: **MS**      CHK. BY: **HFN**

SCALE: **NTS**

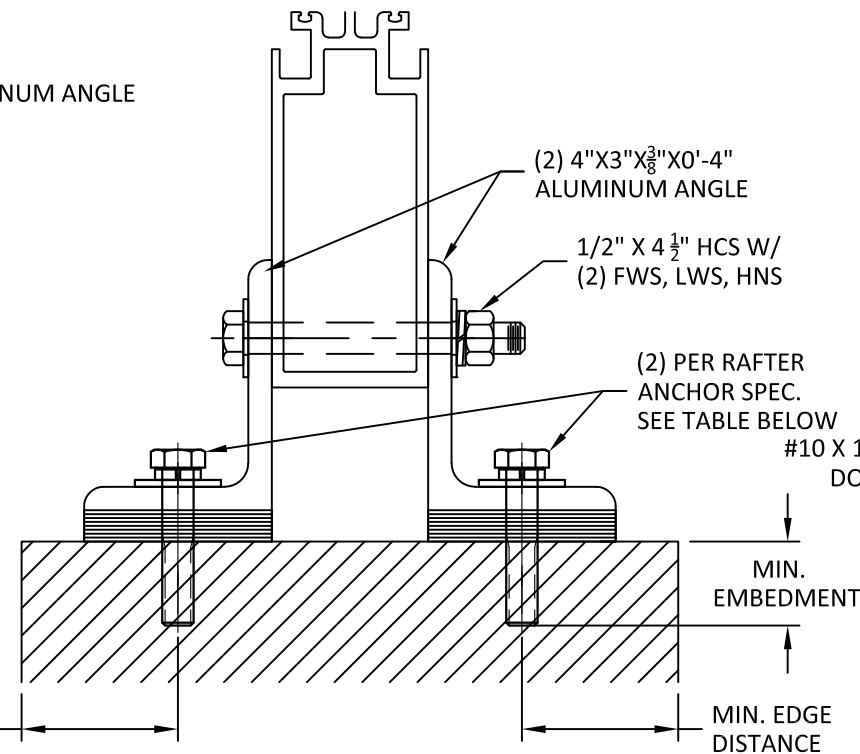
DWG. #: **OBE006**

SHEET: **7**

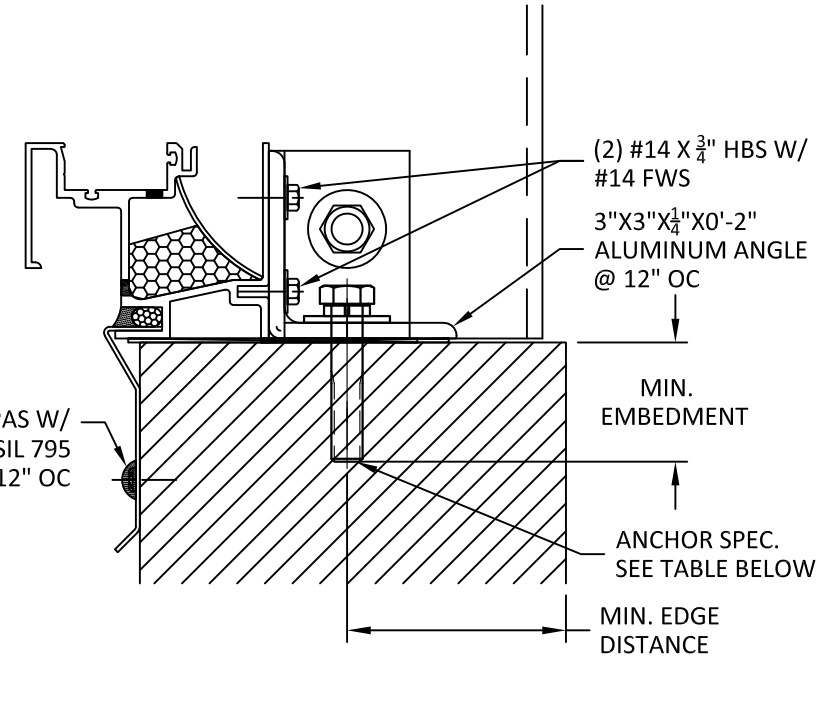
OF 13



**E** INSTALLATION DETAILS  
8 JAMB RAFTER



**F** INSTALLATION DETAILS  
8 CENTER RAFTER



**G** INSTALLATION DETAILS  
8 END RAFTER

**INSTALLATION NOTES:**

- ONE (1) INSTALLATION ANCHOR IS REQUIRED AT EACH ANCHOR LOCATION.
- THE NUMBER OF INSTALLATION ANCHORS DEPICTED IS THE MINIMUM NUMBER OF ANCHORS TO BE USED FOR PRODUCT INSTALLATION OF THE MAXIMUM SIZE LISTED.
- INSTALL INDIVIDUAL INSTALLATION ANCHORS WITHIN A TOLERANCE OF  $\pm 1/4$  INCH THE DEPICTED LOCATION & SPACING IN THE ANCHOR LAYOUT DETAILS (I.E., WITHOUT CONSIDERATION OF TOLERANCES). TOLERANCES ARE NOT CUMULATIVE FROM ONE INSTALLATION ANCHOR TO THE NEXT.
- SHIM AS REQUIRED AT EACH INSTALLATION ANCHOR WITH LOAD BEARING SHIM(S). MAXIMUM ALLOWABLE SHIM STACK TO BE 1/4 INCH. SHIM WHERE SPACE OF 1/16 INCH OR GREATER OCCURS. SHIM(S) SHALL BE CONSTRUCTED OF HIGH DENSITY PLASTIC OR BETTER.
- FOR MASONRY OR CONCRETE OPENINGS, A 1X WOOD BUCK MAY BE USED (OPTIONAL) AS LONG AS THE MINIMUM EMBEDMENT AND EDGE DISTANCE REQUIREMENTS ARE STILL MET WITHIN THE CORRESPONDING HOST SUBSTRATE. SEE GENERAL NOTE #3 ON SHEET 1 FOR MORE INFORMATION.
- MINIMUM EMBEDMENT AND EDGE DISTANCE EXCLUDE WALL FINISHES, INCLUDING BUT NOT LIMITED TO STUCCO, FOAM, BRICK VENEER, AND SIDING.
- INSTALLATION ANCHORS AND ASSOCIATED HARDWARE MUST BE MADE OF CORROSION RESISTANT MATERIAL OR HAVE A CORROSION RESISTANT COATING.
- FOR HOLLOW BLOCK AND GROUT FILLED BLOCK, DO NOT INSTALL INSTALLATION ANCHORS INTO MORTAR JOINTS. EDGE DISTANCE IS MEASURED FROM FREE EDGE OF BLOCK OR EDGE OF MORTAR JOINT INTO FACE SHELL OF BLOCK.
- INSTALLATION ANCHORS SHALL BE INSTALLED IN ACCORDANCE WITH ANCHOR MANUFACTURER'S INSTALLATION INSTRUCTIONS, AND ANCHORS SHALL NOT BE USED IN SUBSTRATES WITH STRENGTHS LESS THAN THE MINIMUM STRENGTH SPECIFIED BY THE ANCHOR MANUFACTURER.

ANCHOR SCHEDULE			
SUBSTRATE	ANCHOR TYPE	MIN. EMBEDMENT	MIN. EDGE DISTANCE
WOOD: MIN. S.G. = 0.55	1/2" LAG BOLT	2"	1"
STEEL MIN. 3/8" THICK (MIN. Fy = 36 ksi)	1/2" GRADE 5 HEX HEAD BOLT OR THREADED ROD W/ WASHERS AND NUTS	3 THREADS MIN PENETRATION BEYOND METAL	0.75"
CONCRETE: MIN. f'c = 3000 psi	1/2" HILTI KH EZ	4"	5.125"

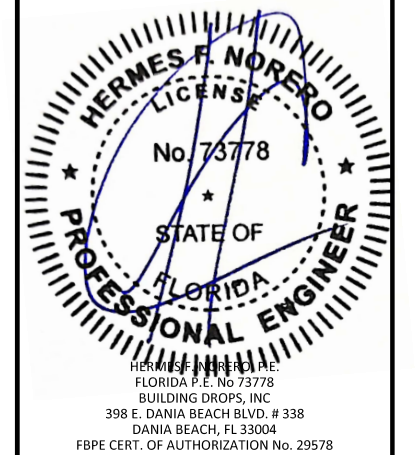


OLDCASTLE BUILDINGENVELOPE™  
8655 ELM FAIR BLVD.  
TAMPA, FL 33610  
PH: (972) 551-6100

TITLE: BMS-3000 STORMMAX® SKYLIGHT (HVHZ) (IMPACT)  
INSTALLATION NOTES & DETAILS  
PREPARED BY: BUILDING DROPS, INC.  
398 E. DANIA BEACH BLVD., STE. 338  
DANIA BEACH, FL 33004  
PH: (954) 399-8478  
FAX: (954) 744-4738  
WEB: www.buildingdrops.com

REMARKS	BY	DATE

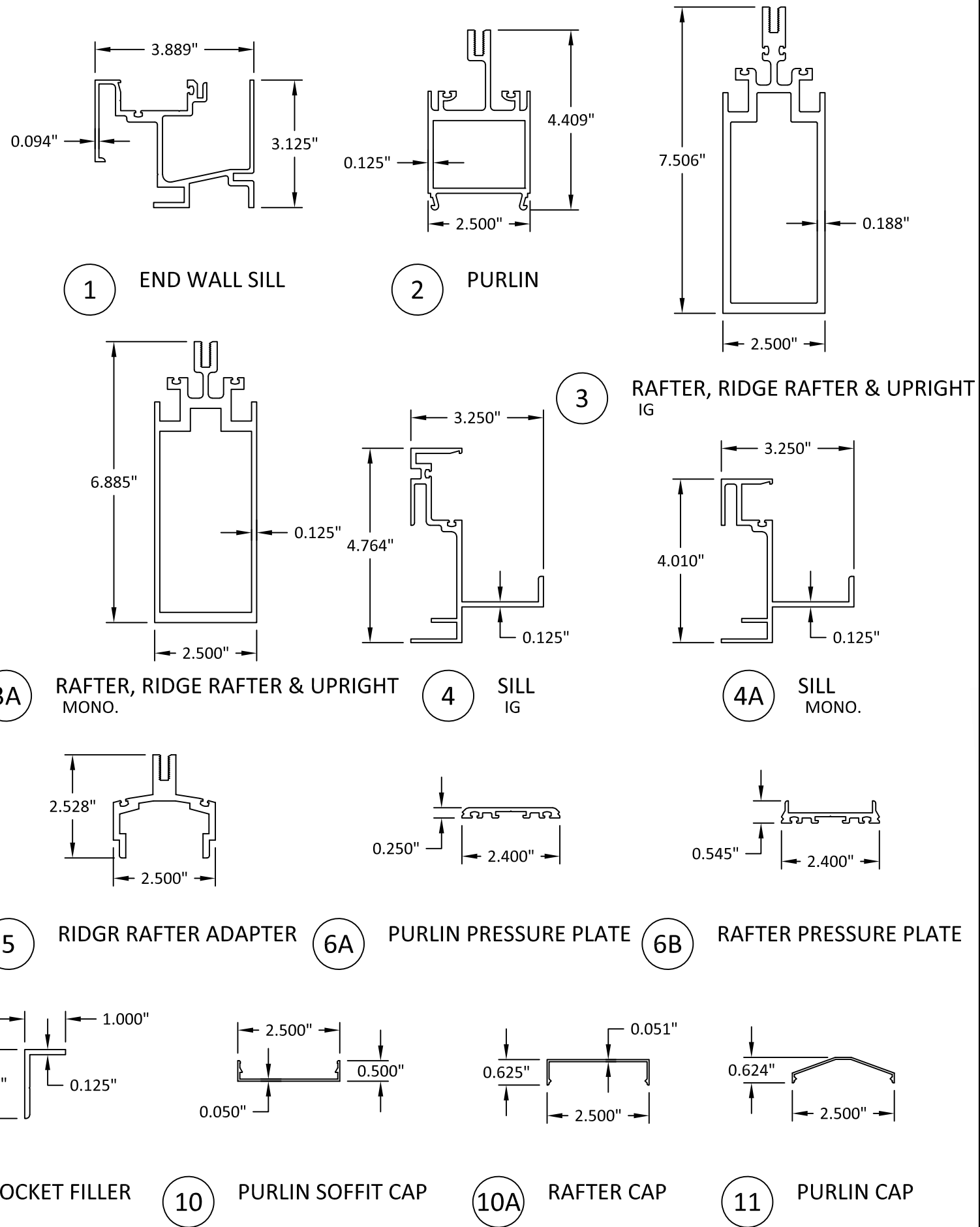
THE INSTALLATION DETAILS DESCRIBED HEREIN ARE GENERIC AND MAY NOT REFLECT ACTUAL CONDITIONS FOR A SPECIFIC SITE. IF SITE CONDITIONS CAUSE INSTALLATION TO DEVIATE FROM THE REQUIREMENTS DETAILED HEREIN, A LICENSED ENGINEER OR ARCHITECT SHALL PREPARE SITE SPECIFIC DOCUMENTS FOR USE WITH THIS DOCUMENT.



FL #: **FL17669**  
DATE: **06.12.23**  
DWG. BY: **MS** CHK. BY: **HFN**  
SCALE: **NTS**  
DWG. #: **OBE006**  
SHEET:



BILL OF MATERIALS			
NO.	PART#	DESCRIPTION	MATERIAL
1	BMS 3409	END WALL SILL	ALUMINUM 6063-T6
2	BMS 4701	PURLIN	ALUMINUM 6063-T6
3	BMS 4057	RAFTER, RIDGE RAFTER & UPRIGHT - IG	ALUMINUM 6063-T6
3A	BMS 4516	RAFTER, RIDGE RAFTER & UPRIGHT - MONO.	ALUMINUM 6063-T6
4	BMS 3415	SILL - IG	ALUMINUM 6063-T6
4A	BMS 3410	SILL - MONO.	ALUMINUM 6063-T6
5	BMS 4065	RIDGE RAFTER ADAPTER	ALUMINUM 6063-T6
6A	BMS 4202	PURLIN PRESSURE PLATE	ALUMINUM 6063-T6
6B	BMS 3150	RAFTER PRESSURE PLATE	ALUMINUM 6063-T6
7	BMS 4007	RIDGE RAFTER CAP	ALUMINUM 6063-T6
8	BMS 4005	RIDGE RAFTER PRESSURE PLATE	ALUMINUM 6063-T6
9	BMS 3591	POCKET FILLER	ALUMINUM 6063-T6
10	BMS 3905	PURLIN SOFFIT CAP	ALUMINUM 6063-T5
10A	BMS 2605	RAFTER CAP	ALUMINUM 6063-T5
11	BMS 4009	PURLIN CAP	ALUMINUM 6063-T6
12	BMS 4060	END WALL TOP SASH	ALUMINUM 6063-T6
13	BMS 3091	CHANNEL	ALUMINUM 6061-T6
13A	BMS 3095	CHANNEL	ALUMINUM 6061-T6
14	-	ALUMINUM ANGLE 3X2X1/4	ALUMINUM 6061-T6
15	-	ALUMINUM ANGLE 2X1-1/2X1/4	ALUMINUM 6061-T6
16	-	ALUMINUM ANGLE 3X3X1/4	ALUMINUM 6061-T6
17	-	ALUMINUM ANGLE 2X2X1/4	ALUMINUM 6061-T6
18	-	ALUMINUM ANGLE 5X3X3/8	ALUMINUM 6061-T6
19	-	ALUMINUM ANGLE 4X3X3/8	ALUMINUM 6061-T6
20	-	ALUMINUM ANGLE 3X3X3/8	ALUMINUM 6061-T6
21	BMS 3009	COMPRESSOR	VINYL
22	-	UPRIGHT ANCHOR	ALUMINUM 6061-T6
23	BMS 3947	SILICONE SETTING BLOCK	SILICONE (80 DUR. ± 5)
23A	BMS 3997	SILICONE SETTING BLOCK	SILICONE (80 DUR. ± 5)
24	BMS 4999	THERMAL ISOLATOR	VINYL
25	EB 3	EPDM EDGE BLOCK	EPDM (60 DUR. ± 5)
26	BMS 3950	GASKET	EPDM (60 DUR. ± 5)
27	-	1/8" CONTINUOUS ALUMINUM CLOSURE ANGLE	ALUMINUM 6063-T5
28	-	FLASHING, MIN. 0.062" THICK	ALUMINUM 3105-H14
29	-	FLASHING, MIN. 0.040" THICK	ALUMINUM 3105-H14

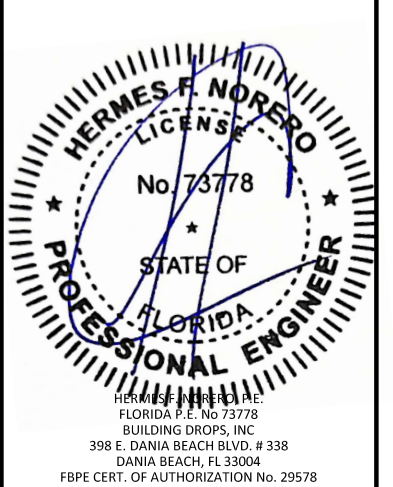


OLDCASTLE BUILDINGENVELOPE™  
 8655 ELM FAIR BLVD.  
 TAMPA, FL 33610  
 PH: (972) 551-6100

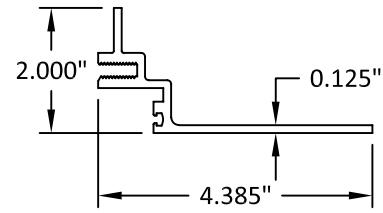
TITLE: BMS-3000 STORMMAX® SKYLIGHT (HVHZ) (IMPACT)  
 BILL OF MATERIALS & COMPONENTS  
 PREPARED BY: BUILDING DROPS, INC.  
 398 E. DANIA BEACH BLVD., STE. 338  
 DANIA BEACH, FL 33004  
 PH: (954) 399-8478  
 FAX: (954) 744-4738  
 WEB: www.buildingdrops.com

REMARKS	BY	DATE

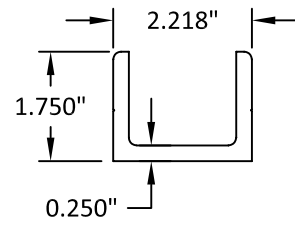
THE INSTALLATION DETAILS DESCRIBED HEREIN ARE GENERIC AND MAY NOT REFLECT ACTUAL CONDITIONS FOR A SPECIFIC SITE. IF SITE CONDITIONS CAUSE INSTALLATION TO DEVIATE FROM THE REQUIREMENTS DETAILED HEREIN, A LICENSED ENGINEER OR ARCHITECT SHALL PREPARE SITE SPECIFIC DOCUMENTS FOR USE WITH THIS DOCUMENT.



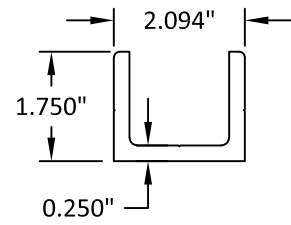
FL #: **FL17669**  
 DATE: **06.12.23**  
 DWG. BY: **MS**      CHK. BY: **HFN**  
 SCALE: **NTS**  
 DWG. #: **OBE006**  
 SHEET: **9**



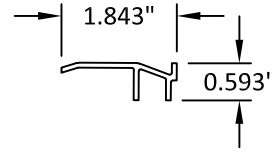
12 END WALL TOP SASH



13 CHANNEL



13A CHANNEL



21 COMPRESSOR



OLDCASTLE BUILDINGENVELOPE™  
8655 ELM FAIR BLVD.  
TAMPA, FL 33610  
PH: (972) 551-6100

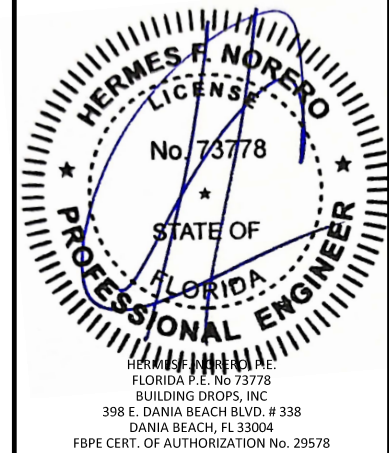
TITLE: BMS-3000 STORMMAX® SKYLIGHT (HVHZ) (IMPACT) COMPONENTS

PREPARED BY: BUILDING DROPS, INC.  
398 E. DANIA BEACH BLVD., STE. 338  
DANIA BEACH, FL 33004  
PH: (954) 959-8478  
FAX: (954) 744-4738  
WEB: www.buildingdrops.com

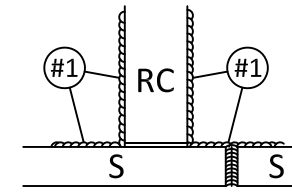
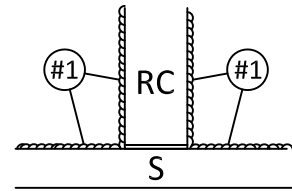
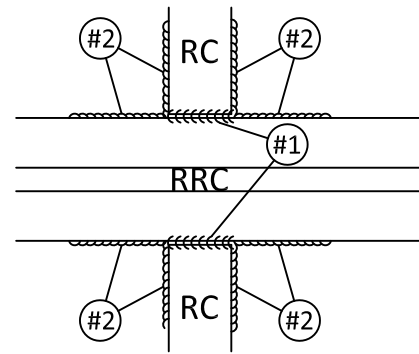
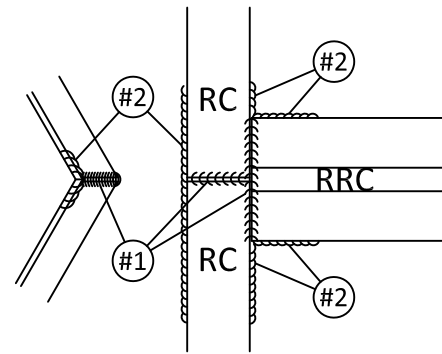


REMARKS	BY	DATE

THE INSTALLATION DETAILS DESCRIBED HEREIN ARE GENERIC AND MAY NOT REFLECT ACTUAL CONDITIONS FOR A SPECIFIC SITE. IF SITE CONDITIONS CAUSE INSTALLATION TO DEVIATE FROM THE REQUIREMENTS DETAILED HEREIN, A LICENSED ENGINEER OR ARCHITECT SHALL PREPARE SITE SPECIFIC DOCUMENTS FOR USE WITH THIS DOCUMENT.

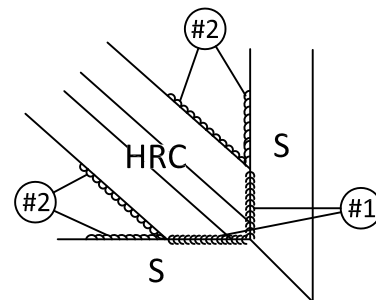
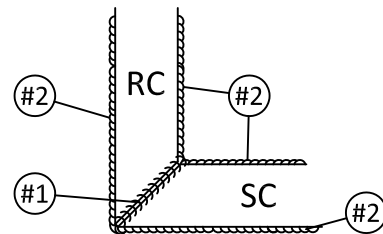
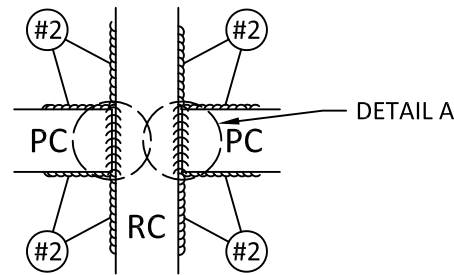
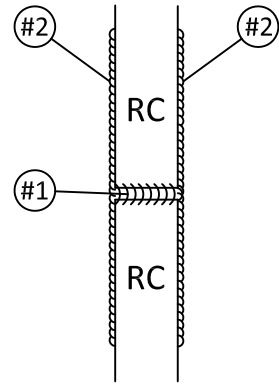


FL #:	FL17669
DATE:	06.12.23
DWG. BY:	MS
CHK. BY:	HFN
SCALE:	NTS
DWG. #:	OBE006
SHEET:	10



#1) CLEAN, PRIME AND INSTALL CAPS AND PLACE A BEAD OF DOWSIL 795 SEALANT BETWEEN CAPS AS SHOWN.

#2) CLEAN AND PRIME CAPS AT CAP INTERSECTIONS AFTER INSTALLING CAPS AND PLACE A HEEL BEAD OF DOWSIL 795 SEALANT BETWEEN GLASS AND CAPS AS SHOWN.



**LEGEND:**

PC: PURLIN CAP  
 PRC: RIDGE RAFTER CAP  
 SC: SILL CAP  
 S: SILL  
 HRC: HIP RAFTER CAP

**DETAIL A SEALING PROCEDURES:**

1. ALWAYS CLEAN ENDS OF GLAZING CAPS WITH IPA OR OTHER SUITABLE CLEANER PRIOR TO INSTALLING.
2. PLACE A BEAD OF DOWSIL 795 SEALANT AT PRESSURE PLATE INTERSECTIONS AS SHOWN.
3. FASTEN AS INSTRUCTED, CLEAN HEAD OF FASTENER AND SURFACE OF GLAZING CAP AROUND FASTENER, CAP SEAL WITH DOWSIL 795 SEALANT.
4. INSTALL CAPS AT THE PRESSURE PLATES THAT RUN THROUGH. PLACE A BEAD OF SEALANT BETWEEN CAPS AND INTERSECTING PRESSURE PLATES AS SHOWN IN THE DIAGRAM.
5. AFTER INSTALLING PRESSURE PLATES AND CAPS CENTER THE REMAINING INTERSECTING CAPS IN OPENINGS. BRIDGE SEAL CAPS AS REQUIRED.



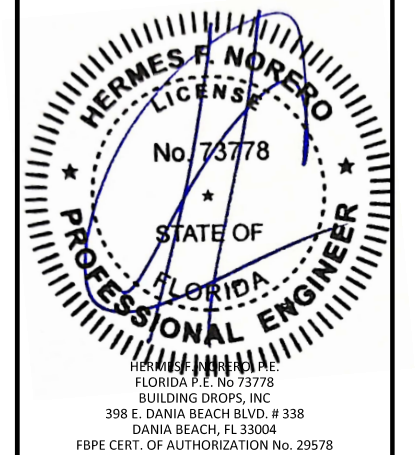
OLDCASTLE BUILDINGENVELOPE™  
 8655 ELM FAIR BLVD.  
 TAMPA, FL 33610  
 PH: (972) 551-6100

TITLE: BMS-3000 STORMMAX® SKYLIGHT (HVHZ) (IMPACT) SEALING DETAILS

PREPARED BY: BUILDING DROPS, INC.  
 398 E. DANIA BEACH BLVD., STE. 338  
 DANIA BEACH, FL 33004  
 PH: (954) 399-8478  
 FAX: (954) 744-4738  
 WEB: www.buildingdrops.com

REMARKS	BY	DATE

THE INSTALLATION DETAILS DESCRIBED HEREIN ARE GENERIC AND MAY NOT REFLECT ACTUAL CONDITIONS FOR A SPECIFIC SITE. IF SITE CONDITIONS CAUSE INSTALLATION TO DEVIATE FROM THE REQUIREMENTS DETAILED HEREIN, A LICENSED ENGINEER OR ARCHITECT SHALL PREPARE SITE SPECIFIC DOCUMENTS FOR USE WITH THIS DOCUMENT.



FL #: **FL17669**

DATE: **06.12.23**

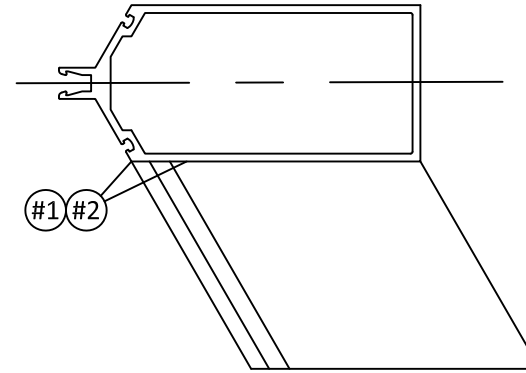
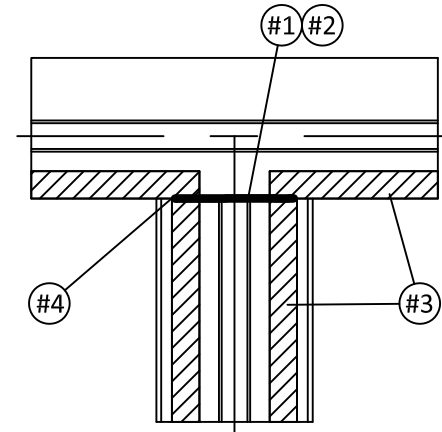
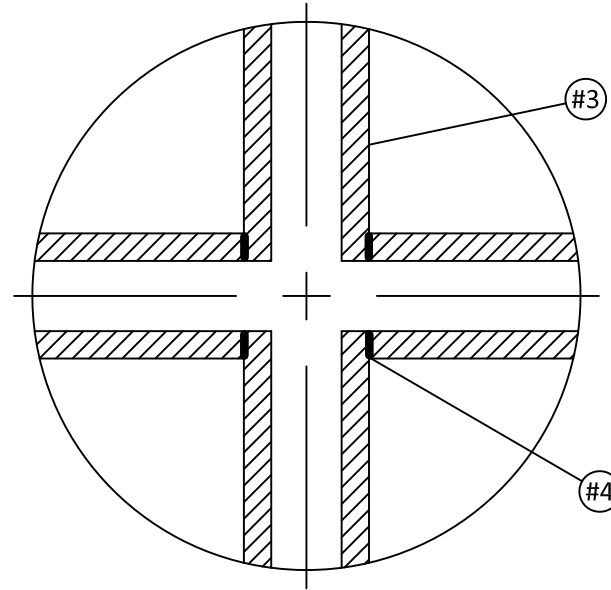
DWG. BY: **MS**      CHK. BY: **HFN**

SCALE: **NTS**

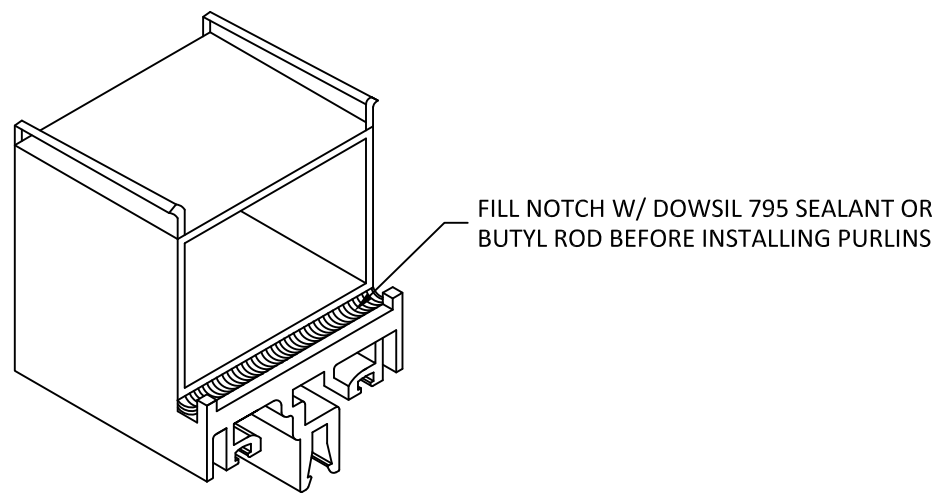
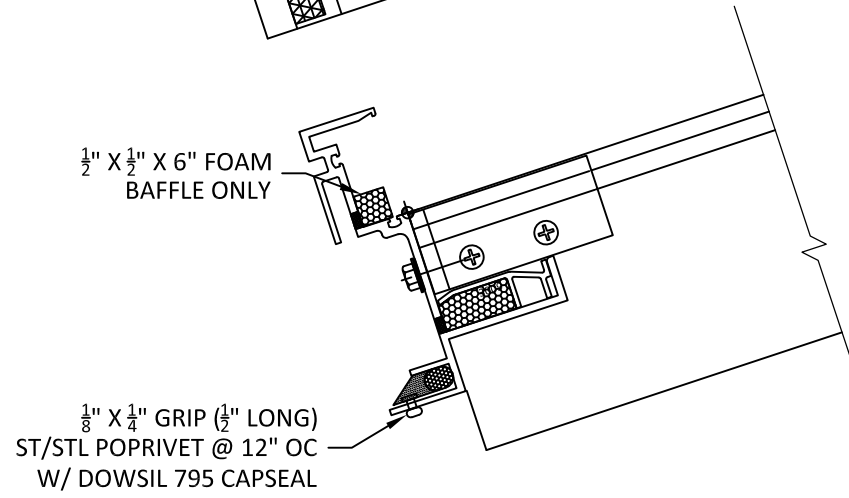
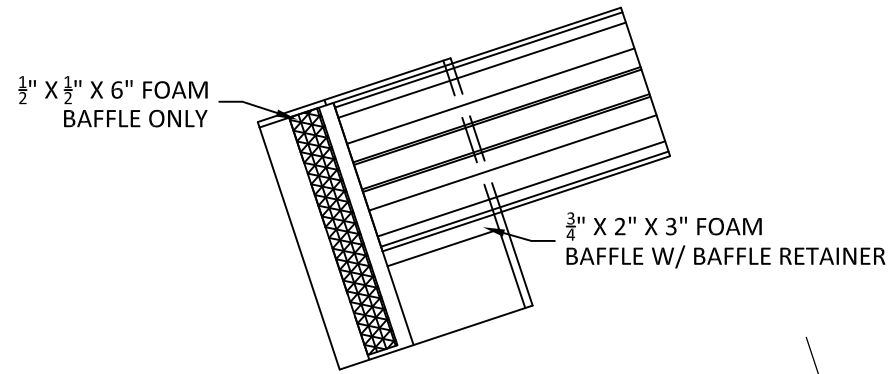
DWG. #: **OBE006**

SHEET: **11**

OF 13



- #1) SEAL ALL RAFTERS TO HIPS, RIDGES & COMP RINGS W/ DOWSIL 795 SEALANT.
- #2) ALL METAL TO METAL CONNECTIONS TO BE CLEANED WITH DOW P5200 ADHESION PROMOTER OR OTHER SUITABLE CLEANER. PRIME AS REQUIRED & SEALED W/ DOWSIL 795 SEALANT.
- #3) GASKET ON ALL FRAMING TO BE FIELD INSTALLED & APPROXIMATE  $\frac{1}{8}$ " PER FOOT.
- #4) BUTT SEAL ALL GASKET INTERSECTIONS W/ DOWSIL 795 BLACK SEALANT.
- #5) CLEAN AND PRIME NOTCH AT END OF PURLINS PRIOR TO RUNNING A BEAD OF DOWSIL 795 SEALANT PR BUTYL ROD THROUGH NOTCH.



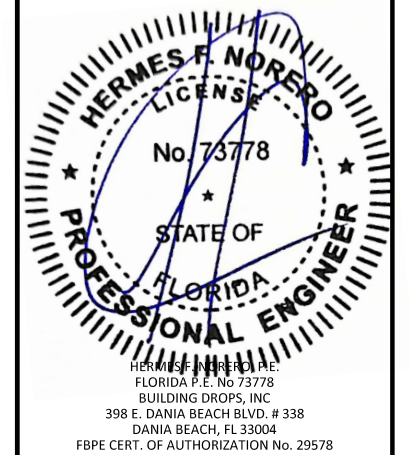
OLDCASTLE BUILDINGENVELOPE™  
8655 ELM FAIR BLVD.  
TAMPA, FL 33610  
PH: (972) 551-6100

TITLE: BMS-3000 STORMMAX® SKYLIGHT (HVHZ) (IMPACT)  
SEALING DETAILS

PREPARED BY: BUILDING DROPS, INC.  
398 E. DANIA BEACH BLVD., STE. 338  
DANIA BEACH, FL 33004  
PH: (954) 399-8478  
FAX: (954) 744-4738  
WEB: www.buildingdrops.com

REMARKS	BY	DATE

THE INSTALLATION DETAILS DESCRIBED HEREIN ARE GENERIC AND MAY NOT REFLECT ACTUAL CONDITIONS FOR A SPECIFIC SITE. IF SITE CONDITIONS CAUSE INSTALLATION TO DEVIATE FROM THE REQUIREMENTS DETAILED HEREIN, A LICENSED ENGINEER OR ARCHITECT SHALL PREPARE SITE SPECIFIC DOCUMENTS FOR USE WITH THIS DOCUMENT.



FL #: **FL17669**

DATE: **06.12.23**

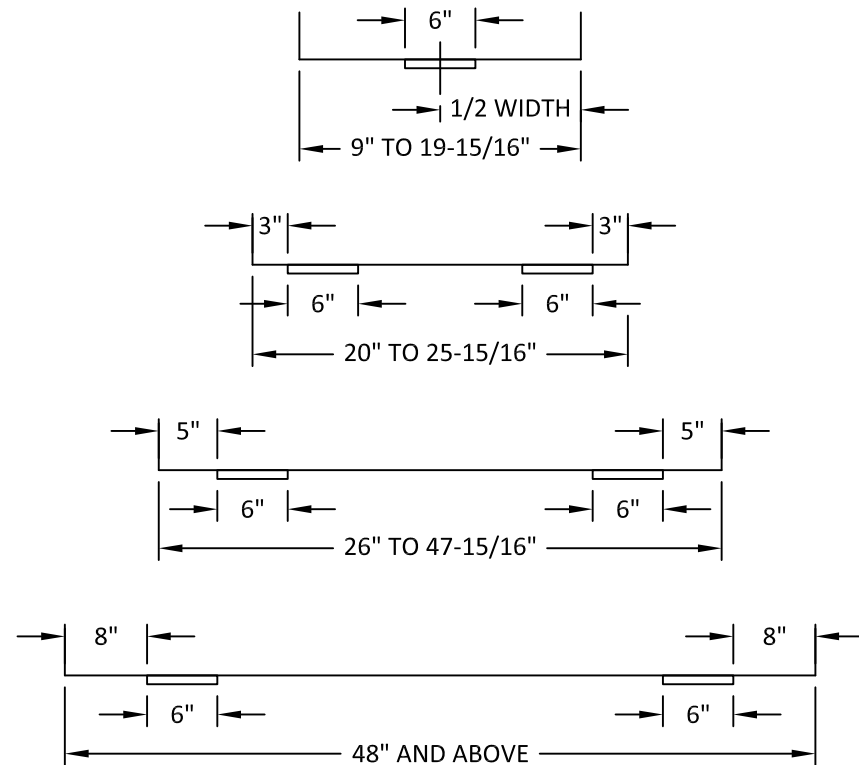
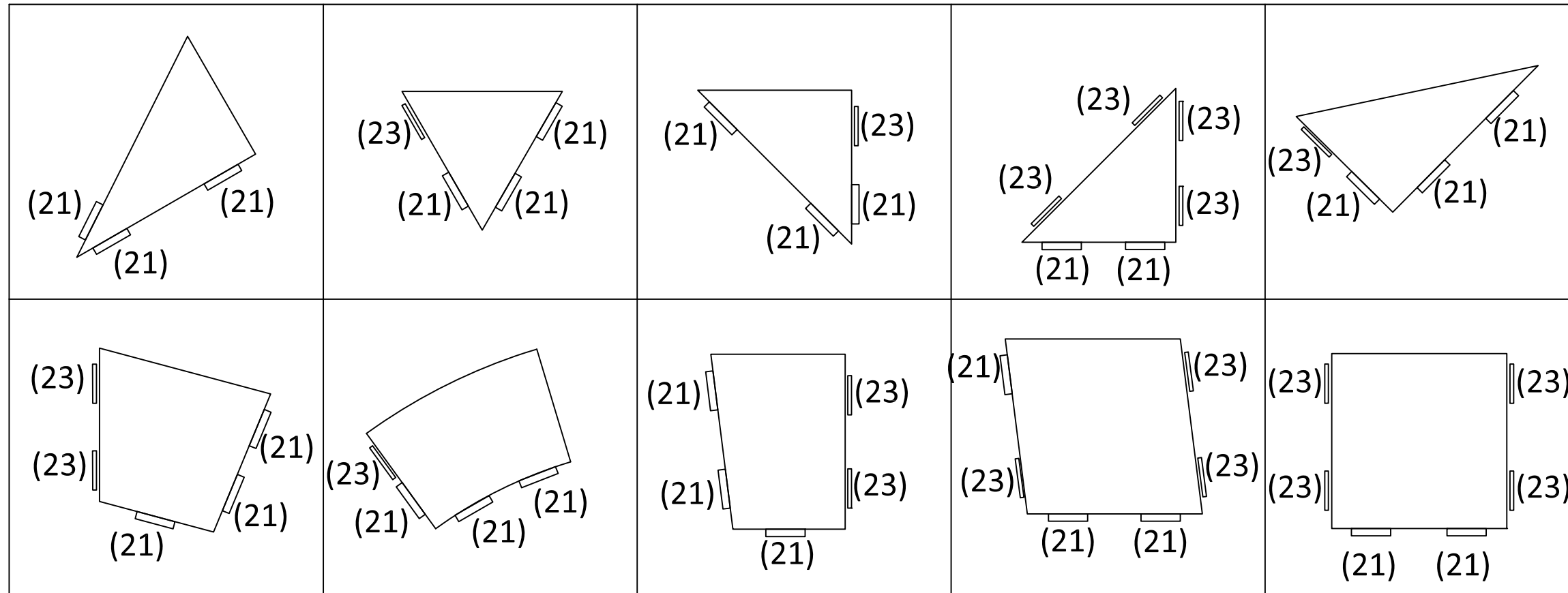
DWG. BY: **MS**      CHK. BY: **HFN**

SCALE: **NTS**

DWG. #: **OBE006**

SHEET: **12**

OF 13



**SETTING BLOCK LOCATIONS**

**SETTING BLOCK NOTE:**

1. NO BLOCKS SHALL BE LESS THAN 6" IN LENGTH.
2. SETTING BLOCKS SHALL BE POSITIONED WITH BEVELED EDGE DOWN REFER TO APPLICABLE DETAIL.
3. FOR ALL GLASS TYPES REGARDLESS OF APPLICATION, THE SETTING BLOCK MUST SUPPORT A MIN. OF ONE HALF THE THICKNESS OF THE OUTBOARD LITE.

**PROPER GLASS BLOCKING TECHNIQUES:**  
PLEASE FOLLOW THE PROPER BLOCKING TECHNIQUES FOR SETTING BLOCKS AS SHOWN HERE. ALL LITES ARE SHOWN IN TRUE ELEVATION AND DO NOT FLOAT IN THE OPENING, THESE BLOCKING TECHNIQUES DO NOT APPLY TO ENTRANCE DOORS, OPERABLE WINDOWS OR VENTS.

**ERECTOR NOTE:**  
DO NOT WALK ON GLASS. GLASS IS NOT DESIGNED TO SUPPORT CONCENTRATED LOADS.

**LEGEND**  
(23) = EDGE BLOCK  
(21) = SETTING BLOCK

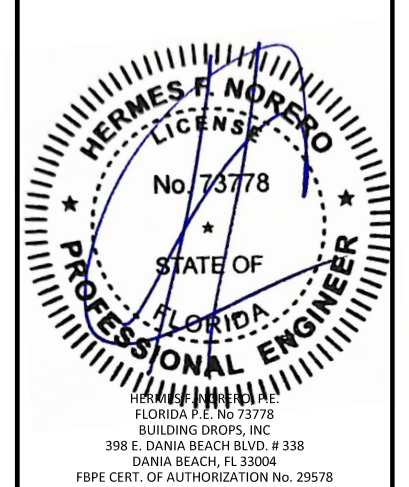


OLDCASTLE BUILDINGENVELOPE™  
8655 ELM FAIR BLVD.  
TAMPA, FL 33610  
PH: (972) 551-6100

TITLE: BMS-3000 STORMMAX® SKYLIGHT (HVHZ) (IMPACT)  
GLASS BLOCKING DETAILS  
PREPARED BY: BUILDING DROPS, INC.  
398 E. DANIA BEACH BLVD., STE. 338  
DANIA BEACH, FL 33004  
PH: (954) 399-8478  
FAX: (954) 744-4738  
WEB: www.buildingdrops.com

REMARKS	BY	DATE

THE INSTALLATION DETAILS DESCRIBED HEREIN ARE GENERIC AND MAY NOT REFLECT ACTUAL CONDITIONS FOR A SPECIFIC SITE. IF SITE CONDITIONS CAUSE INSTALLATION TO DEVIATE FROM THE REQUIREMENTS DETAILED HEREIN, A LICENSED ENGINEER OR ARCHITECT SHALL PREPARE SITE SPECIFIC DOCUMENTS FOR USE WITH THIS DOCUMENT.



FL #: **FL17669**  
DATE: **06.12.23**  
DWG. BY: **MS** CHK. BY: **HFN**  
SCALE: **NTS**  
DWG. #: **OBE006**

SHEET: **13**  
OF 13